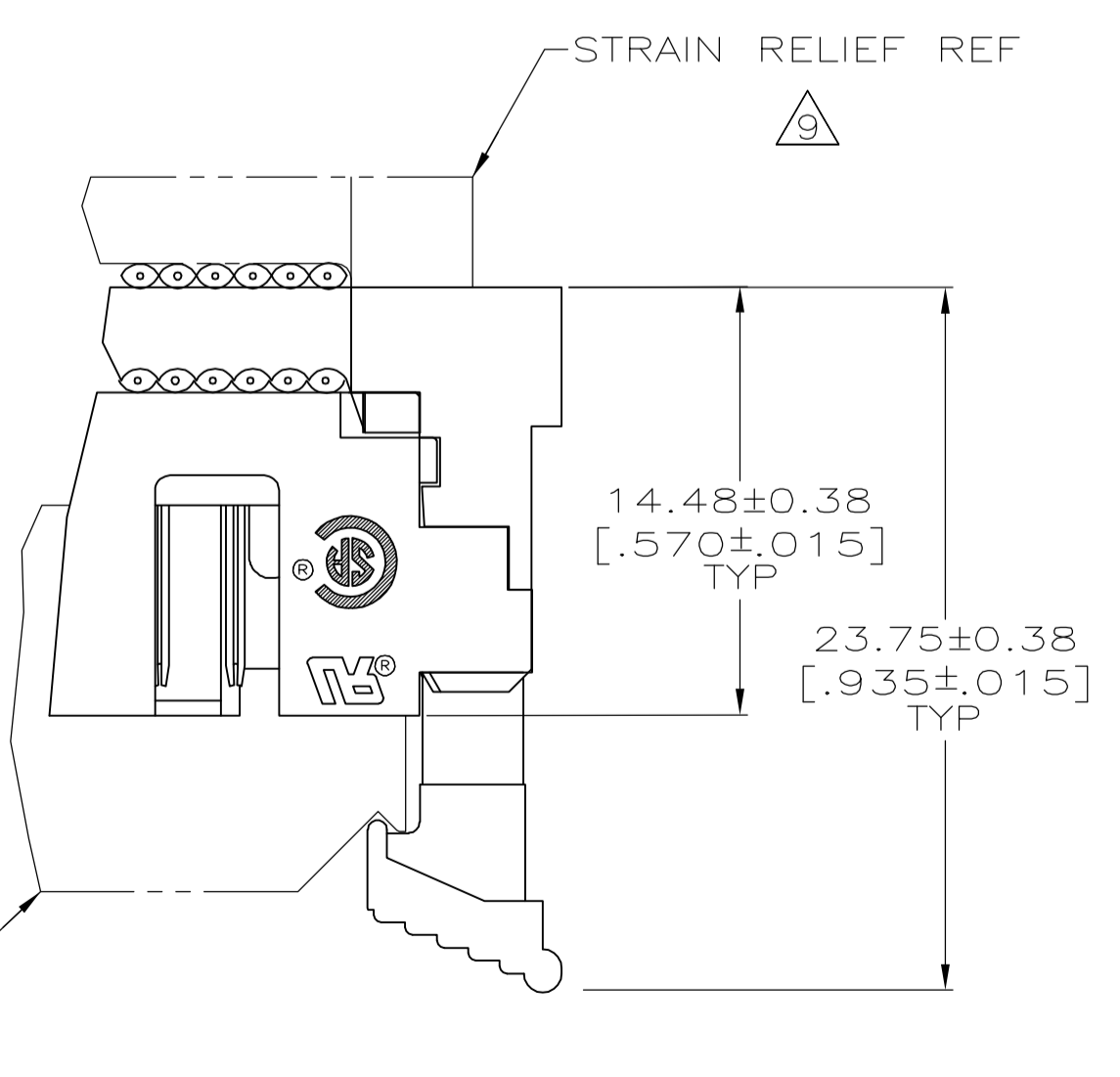
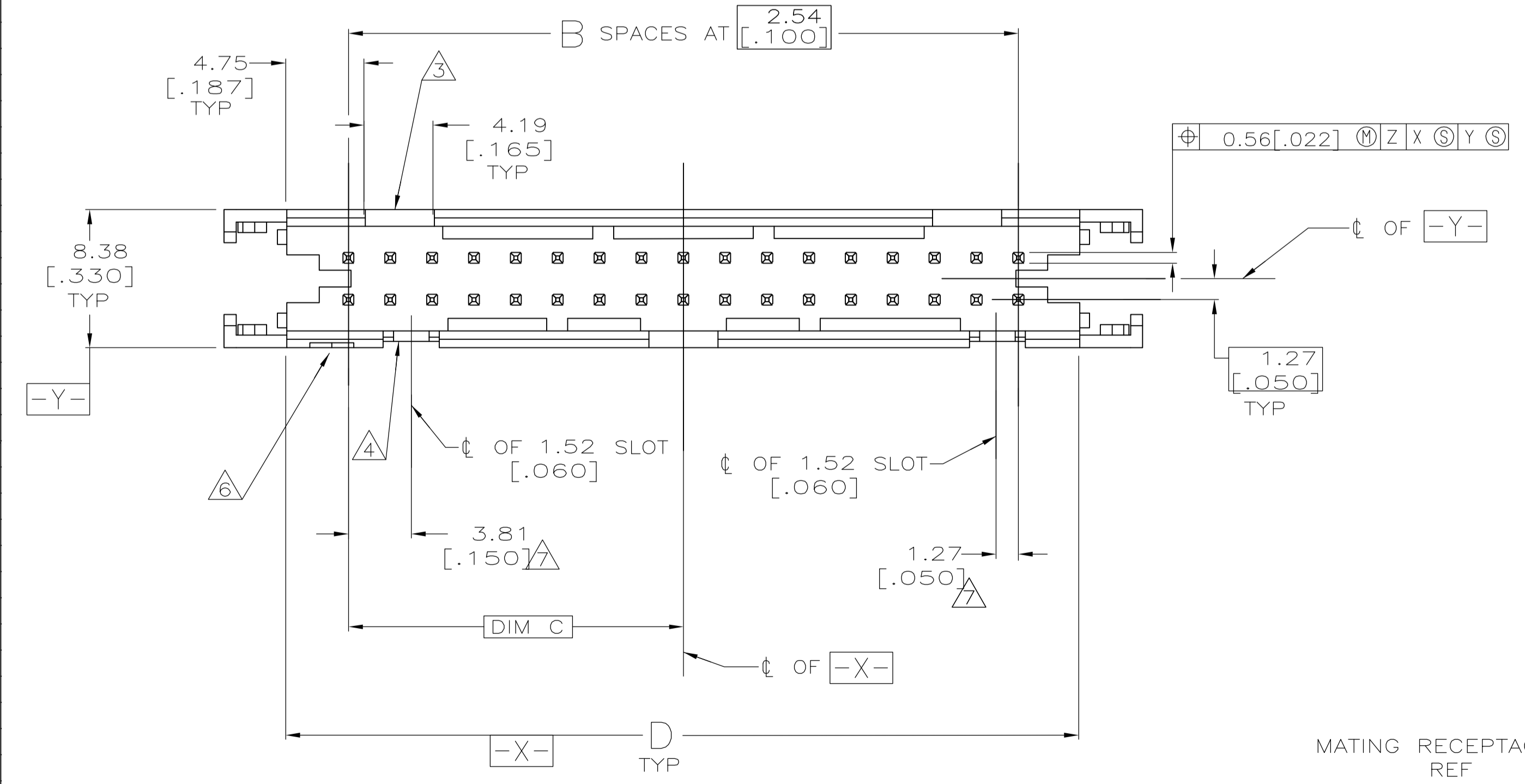
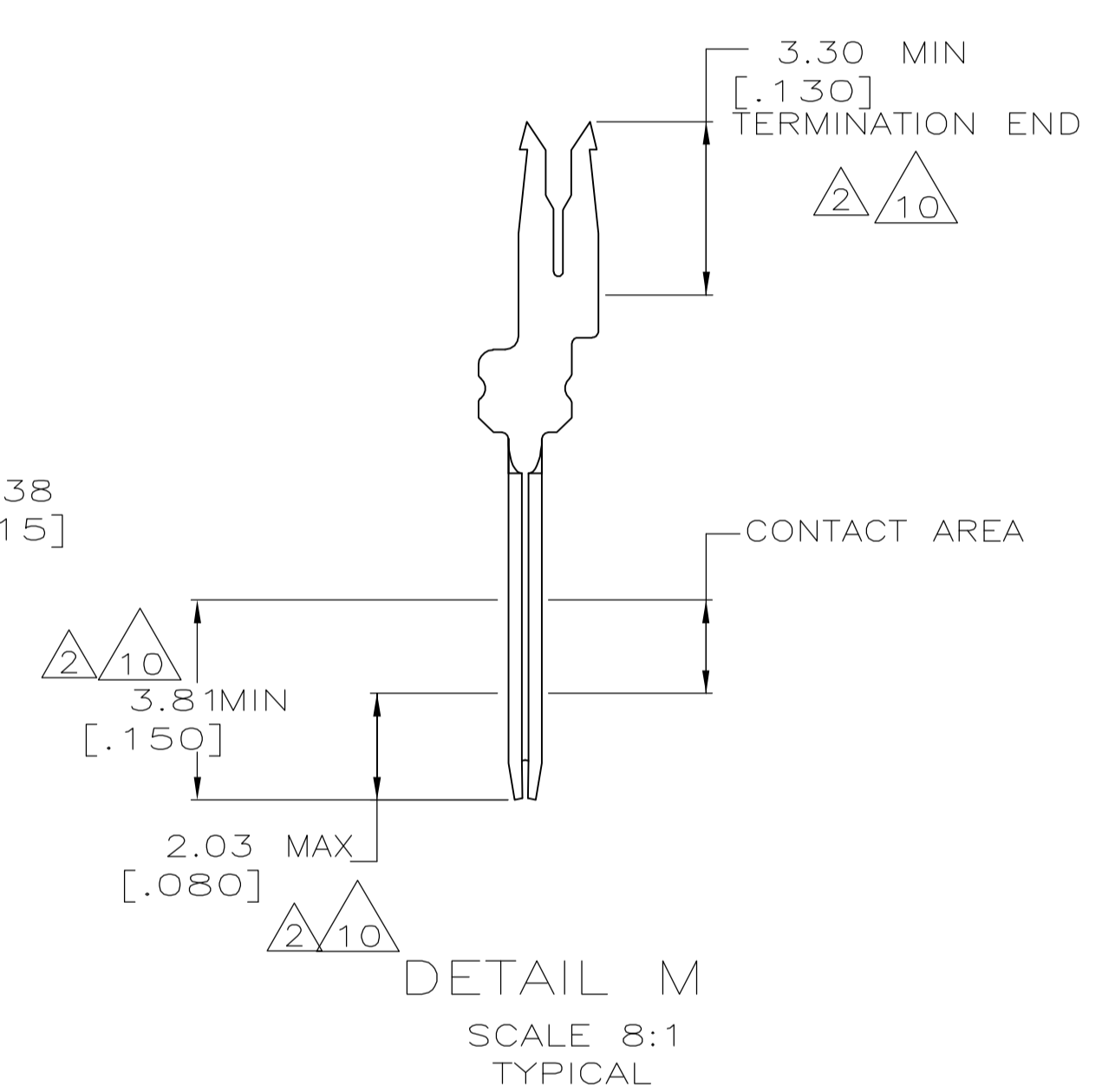
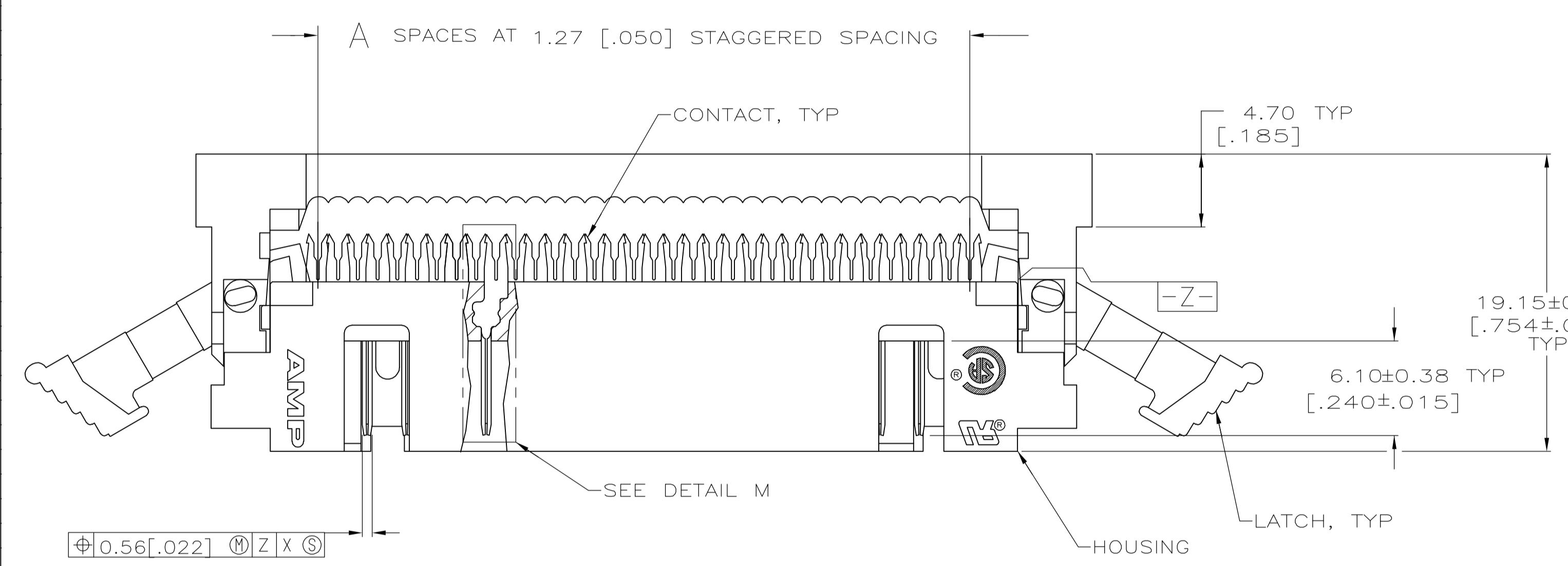
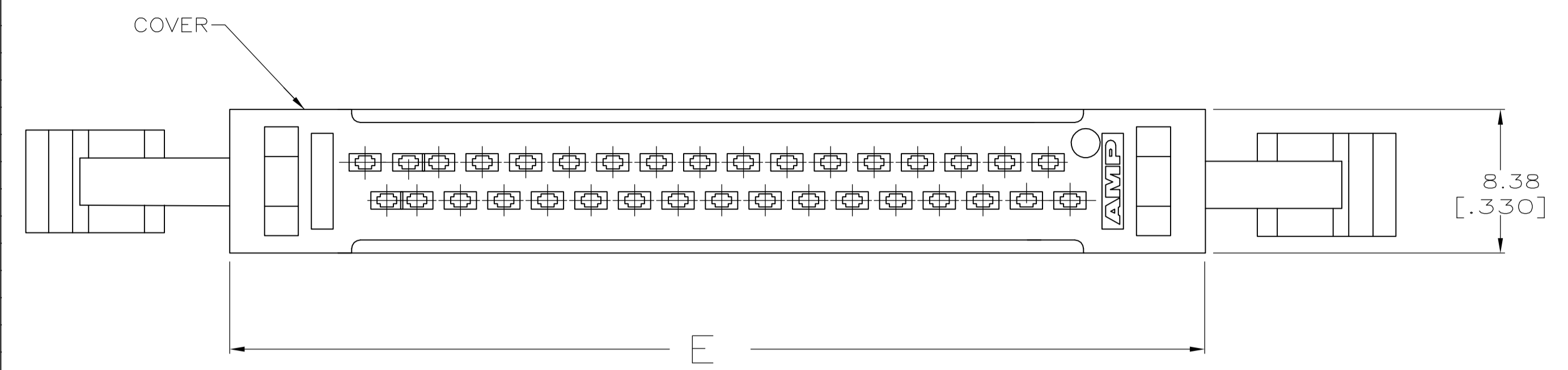


- △ FLAME RETARDANT 94V-0 RATED THERMOPLASTIC; BLACK.
- △ 2.54µm [.000100] MIN BRIGHT TIN-LEAD ON TERMINATION END, 0.76µm [.000030] MIN GOLD ON CONTACT AREA, ALL OVER 1.27µm [.000050] MIN NICKEL.
- △ NO SLOT ON THIS END FOR 10 AND 14 POSITION HOUSINGS.
- △ NO SLOT FOR SNAP-IN POLARIZER ON THIS END FOR 10 AND 14 POSITION HOUSINGS.
- 5. FOR MILITARY POLARIZATION, ORDER SNAP-IN POLARIZER 499991-2 (BULK PACK OF 50).
- △ POSITION NO 1 INDICATOR.
- △ COORDINATE DIMENSION APPLIES FROM CENTER OF ACTUAL FEATURE.
- △ PHOSPHOR BRONZE PER QQ-B-750.
- △ STRAIN RELIEF 111547 MUST BE ORDERED SEPARATELY.
- △ 2.54µm [.000100] MIN TIN ON TERMINATION END, 0.76µm [.000030] MIN GOLD ON CONTACT AREA, ALL OVER 1.27µm [.000050] MIN NICKEL.
- △ OBSOLETE



CONTACT FINISH	E	D	C	B	A	NO OF POSN	PART NUMBER
△10	89.59 [3.527]	81.13 [3.194]	36.83 [1.450]	29	59	60	2-111492-6
△10	78.03 [3.072]	68.43 [2.694]	30.48 [1.200]	24	49	50	2-111492-5
△10	70.41 [2.772]	60.81 [2.394]	26.67 [1.050]	21	43	44	2-111492-4
△10	65.33 [2.572]	55.73 [2.194]	24.13 [0.950]	19	39	40	2-111492-3
△10	57.71 [2.272]	48.11 [1.894]	20.32 [0.800]	16	33	34	2-111492-2
△10	52.63 [2.072]	43.03 [1.694]	17.78 [0.700]	14	29	30	2-111492-1
△10	47.55 [1.872]	37.95 [1.494]	15.24 [0.600]	12	25	26	2-111492-0
△10	45.01 [1.772]	35.41 [1.394]	13.97 [0.550]	11	23	24	1-111492-9
△11	39.93 [1.572]	30.33 [1.194]	11.43 [0.450]	9	19	20	1-111492-8
△10	34.85 [1.372]	25.25 [0.994]	8.89 [0.350]	7	15	16	1-111492-7
△10	32.31 [1.272]	22.71 [0.894]	7.62 [0.300]	6	13	14	1-111492-6
△10	27.23 [1.072]	17.63 [0.694]	5.08 [0.200]	4	9	10	1-111492-5
△11	95.81 [3.772]	86.21 [3.394]	39.37 [1.550]	31	63	64	1-111492-4
△11	95.81 [3.772]	86.21 [3.394]	39.37 [1.550]	31	63	64	1-111492-3
△11	89.59 [3.527]	81.13 [3.194]	36.83 [1.450]	29	59	60	1-111492-2
△2	78.03 [3.072]	68.43 [2.694]	30.48 [1.200]	24	49	50	1-111492-1
△2	70.41 [2.772]	60.81 [2.394]	26.67 [1.050]	21	43	44	1-111492-0
△2	65.33 [2.572]	55.73 [2.194]	24.13 [0.950]	19	39	40	111492-9
△11	57.71 [2.272]	48.11 [1.894]	20.32 [0.800]	16	33	34	111492-8
△2	52.63 [2.072]	43.03 [1.694]	17.78 [0.700]	14	29	30	111492-7
△2	47.55 [1.872]	37.95 [1.494]	15.24 [0.600]	12	25	26	111492-6
△2	45.01 [1.772]	35.41 [1.394]	13.97 [0.550]	11	23	24	111492-5
△11	39.93 [1.572]	30.33 [1.194]	11.43 [0.450]	9	19	20	111492-4
△11	34.85 [1.372]	25.25 [0.994]	8.89 [0.350]	7	15	16	111492-3
△11	32.31 [1.272]	22.71 [0.894]	7.62 [0.300]	6	13	14	111492-2
△11	27.23 [1.072]	17.63 [0.694]	5.08 [0.200]	4	9	10	111492-1

COVER AND LATCH NOT SHOWN IN THIS VIEW FOR CLARITY

TERMINATED ASSEMBLY (ASSEMBLED BY CUSTOMER)

THIS DRAWING IS A CONTROLLED DOCUMENT. DIN C. OBERMAN 8-9-90 Tyco Electronics Corporation Tyco Electronics Corporation Harrisburg, PA 17105-3608

CHK F. M. HEINRY 11-28-90

APVD

DIMENSIONS: mm [INCHES]

TOLERANCES UNLESS OTHERWISE SPECIFIED:

0 PLC ± -

1 PLC ± ±

2 PLC ± ± 0.13[.005]

3 PLC ± ±

4 PLC ± ±

ANGLES ± ±

MATERIAL MOLDED PARTS: △

FINISH CONTACTS: SEE TABLE

PRODUCT SPEC 108-1336

APPLICATION SPEC 114-7011

SIZE 114-7011

WEIGHT

SCALE 4:1

SHEET 1 OF 1

REV G2

CUSTOMER DRAWING

RESTRICTED TO

00779

111492